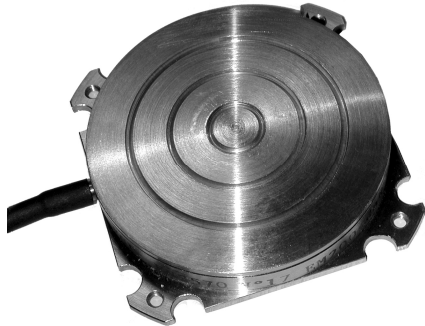


FN2570-6 Pedal Load Cell



- Extra-flat load cell
- 200 to 2500 N (40 to 500 lbf)
- Stainless Steel material
- Cable Output
- Very easy fixation

DESCRIPTION

The FN2570 load cell has been developed for pedal force testing. It attaches easily on all types of pedals and test rigs for endurance and fatigue tests, especially where size is an important factor. Strain is measured with high precision independent of the point of application of force. A strain relief spring strengthens the cable output.

With many years of experience as a designer and manufacturer of sensors, Measurement Specialties, Inc. often works with customers to design or customize sensors for specific uses and testing environments.

Measurement Specialties, Inc. have many years of experience as a designer and manufacturer of sensing solutions to the automotive industry and can supply standard or custom sensors for specific uses and testing environments.

Consult Measurement Specialties, Inc. Engineering Department for a custom solution to your application.

FEATURES

- Compression measurements
- Accuracy regardless of force application point
- Extra-flat and rugged design
- Easy installing

APPLICATIONS

- On-board vehicle equipment
- Test bench equipment
- Laboratory and Research

STANDARD RANGES

Ranges in N	200	500	1000	1500	2000	2500
Ranges in lbf	40	100	200	300	400	500

FN2570-6 Pedal Load Cell

PERFORMANCE SPECIFICATIONS

All values are typical at temperature 20±1° C

Parameters	
Operating Temperature Range (OTR)	-20 to 80° C [-4 to 176° F]
Compensated Temperature Range (CTR)	0 to 60° C [32 to 140° F]
Zero Shift in CTR	<0.5% F.S. / 50° C [/100° F]
Sensitivity Shift in CTR	<1% of reading / 50° C [/100° F]
Range (F.S.)	0-200 to 0-2500 N [0-40 to 0-500 lbf]
Over-Range	
Without Damage	1.5 x F.S.
Without Destruction	3 x F.S.
Accuracy	
Combined non-linearity & hysteresis	≤±2.5% F.S.

Electrical Characteristics

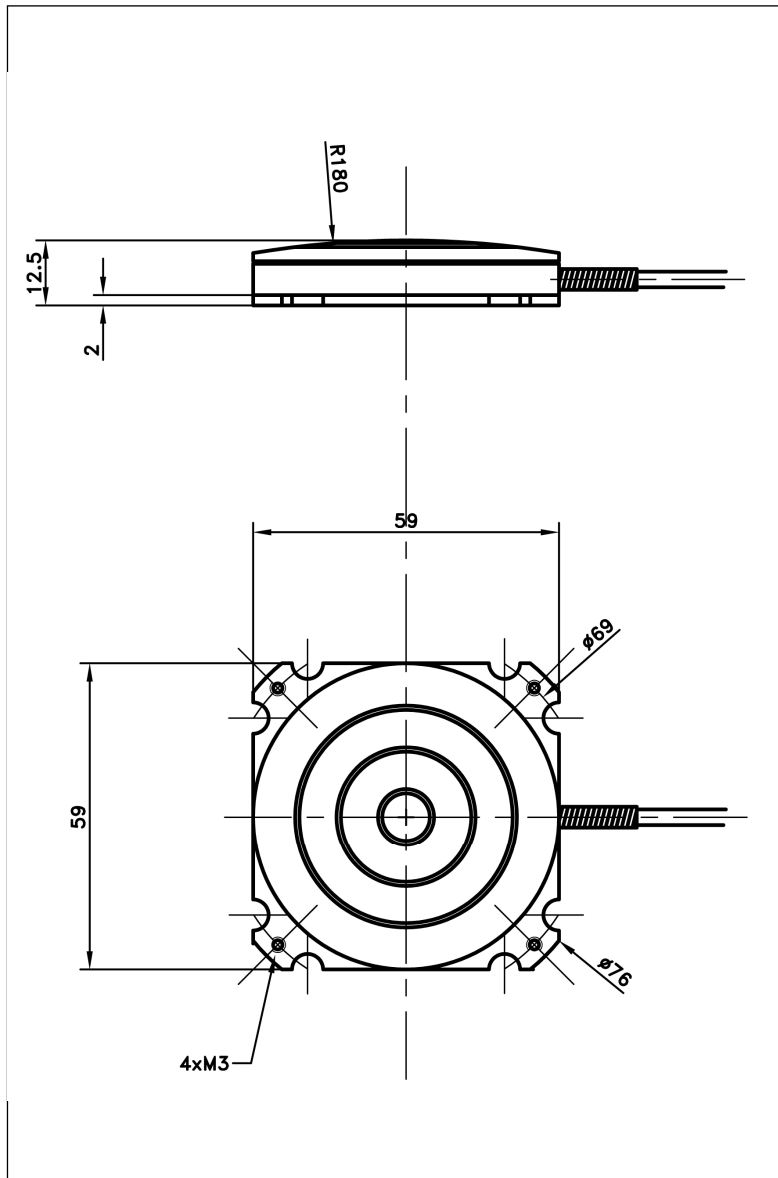
Model	FN2570-6
Supply Voltage	10Vdc
F.S. Output	±2mV/V
Zero Offset	±5% F.S.
Input Impedance/Consumption	700Ω
Output Impedance	700Ω
Insulation under 50Vdc	≥100MΩ

Notes

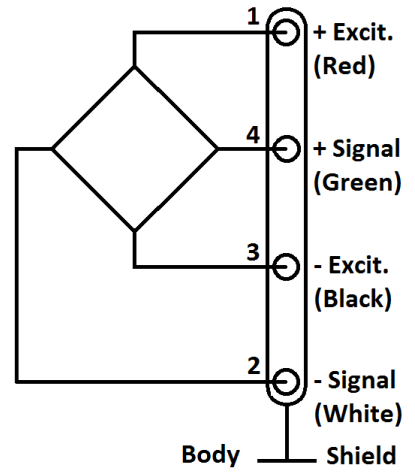
1. Electrical Termination: 2m shielded cable length
2. Material: stainless steel.
3. Protection Index: IP50
4. CE conformance according to EN 61010-1, EN 50081-1, EN 50082-1

FN2570-6 Pedal Load Cell

DIMENSIONS & WIRING SCHEMATIC (IN METRIC AND IMPERIAL)



Wiring Schematic



FN2570-6 Pedal Load Cell

OPTIONS

ET1 : CTR -20 to 100° C OTR = CTR

L00M : special cable length, replace "00" with total length in meters

ORDERING INFO

